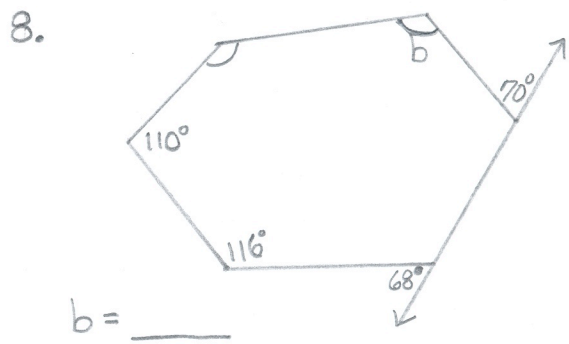
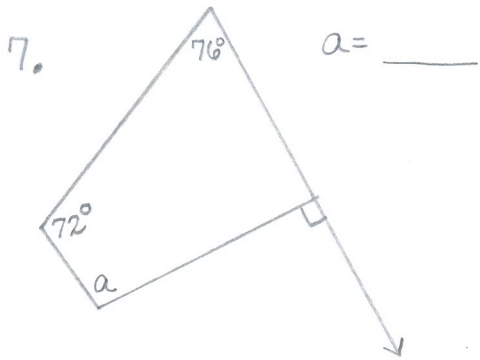
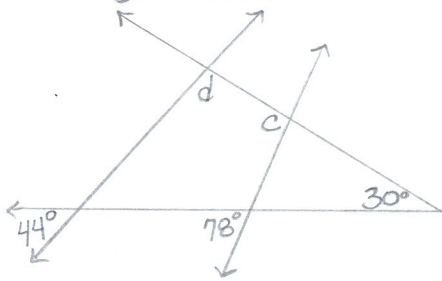


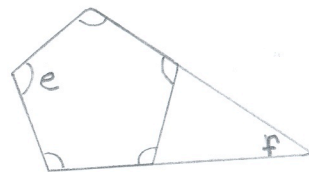
Find the missing measures



9. $c = \underline{\hspace{2cm}}$
 $d = \underline{\hspace{2cm}}$



10. $e = \underline{\hspace{2cm}}$
 $f = \underline{\hspace{2cm}}$



11. $j = \underline{\hspace{2cm}}$
 $k = \underline{\hspace{2cm}}$

