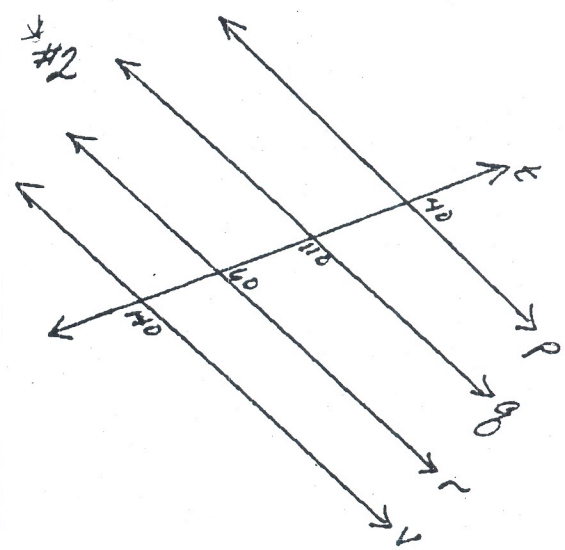
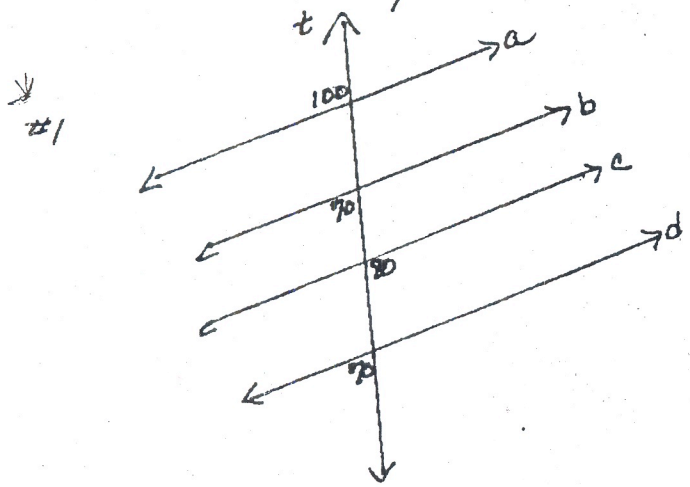


"SOL" type questions for parallel lines

NAME \_\_\_\_\_

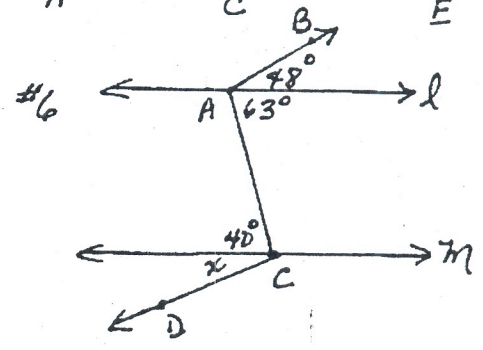
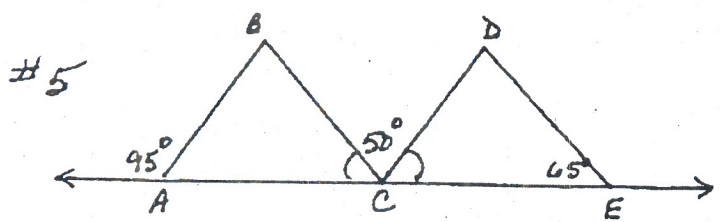
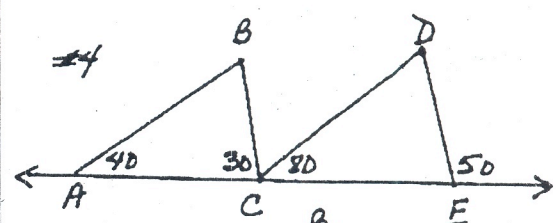
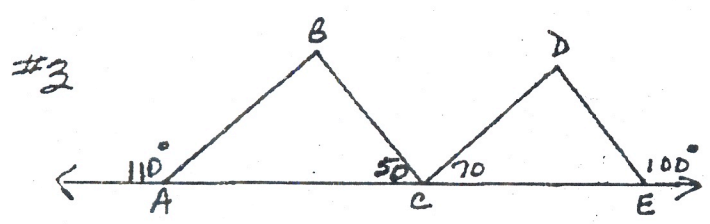
Which lines are parallel and WHY?

Sheet 4.6



1)       $\parallel$        
justification: \_\_\_\_\_  $\rightarrow$  \_\_\_\_\_

2)       $\parallel$        
justification: If \_\_\_\_\_ then \_\_\_\_\_



3)       $\parallel$        
justification \_\_\_\_\_  $\rightarrow$  \_\_\_\_\_

4)       $\parallel$        
justification \_\_\_\_\_  $\rightarrow$  \_\_\_\_\_

5)       $\parallel$       justification \_\_\_\_\_  $\rightarrow$  \_\_\_\_\_

6) find  $x$  so that \_\_\_\_\_  $\parallel$  \_\_\_\_\_  $x =$  \_\_\_\_\_