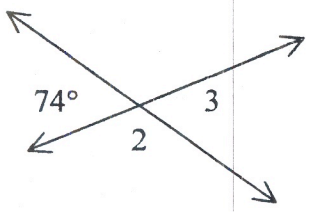
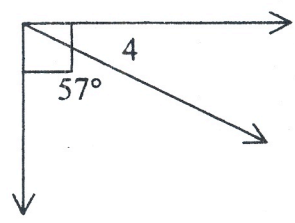


$m\angle 1 =$  \_\_\_\_\_

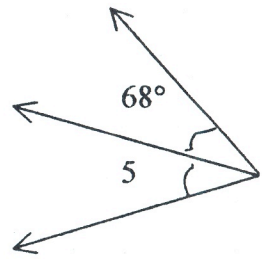
$m\angle 2 =$  \_\_\_\_\_



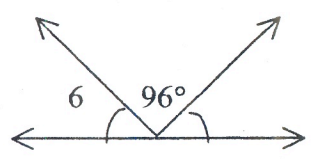
$m\angle 3 =$  \_\_\_\_\_



$m\angle 4 =$  \_\_\_\_\_

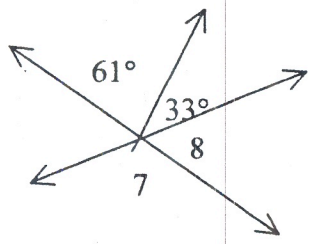


$m\angle 5 =$  \_\_\_\_\_

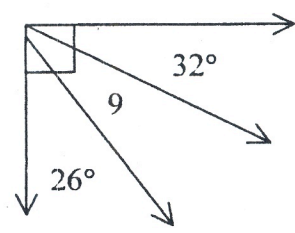


$m\angle 6 =$  \_\_\_\_\_

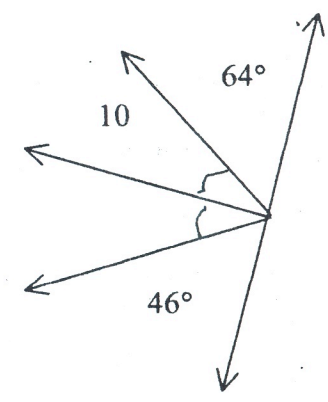
$m\angle 7 =$  \_\_\_\_\_



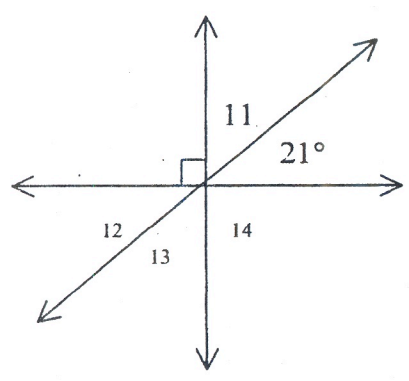
$m\angle 8 =$  \_\_\_\_\_



$m\angle 9 =$  \_\_\_\_\_



$m\angle 10 =$  \_\_\_\_\_



$m\angle 11 =$  \_\_\_\_\_

$m\angle 12 =$  \_\_\_\_\_

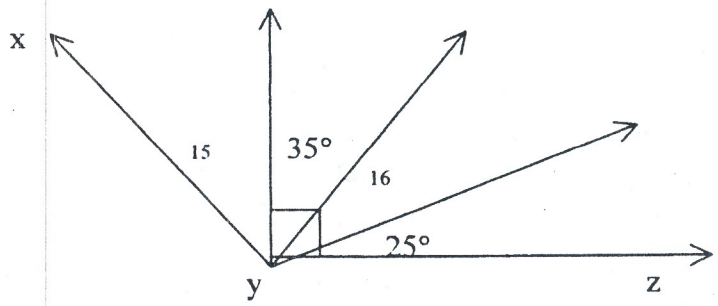
$m\angle 13 =$  \_\_\_\_\_

$m\angle 14 =$  \_\_\_\_\_

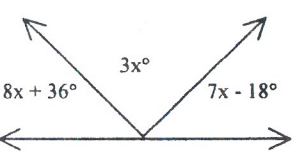
$m\angle 15 =$  \_\_\_\_\_

$m\angle 16 =$  \_\_\_\_\_

Given:  $m\angle XYZ = 135^\circ$

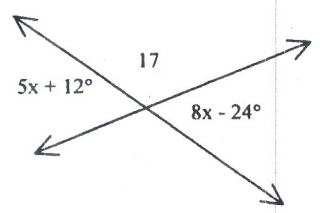


$m\angle 11 =$  \_\_\_\_\_



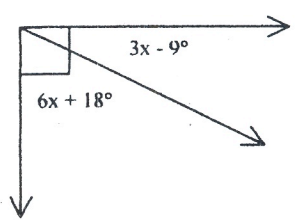
Equation =

= \_\_\_\_\_



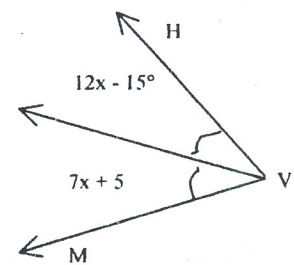
Equation =

$m\angle 17 =$  \_\_\_\_\_



Equation =

x = \_\_\_\_\_



$m\angle MVH =$  \_\_\_\_\_